



About Polaroid LINK mobile phones In the box

Polaroid LINK mobile phones are shipped unlocked and offer the flexibility of using any GSM network (AT&T, T-Mobile, and more) and plan you want without any commitment.

SIM card (not included)

If you already have a SIM card, please refer to "Inserting the SIM card and battery". If you do not have a SIM card, you can purchase one at many major retailers, mobile phone carriers or electronics stores.

Supported Bands:

GSM/GPRS / EDGE 850,900,1800,1900 MHz
3G UMTS 850 / 1900 MHz

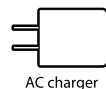
Features: • Supports voice calls and texting • Built-in FM radio and music player • Micro SD card slot (expandable up to 8GB) • VGA rear camera • 2.4" color display • 800 mAh rechargeable battery • Bluetooth 2.1 • 3.5mm headphone jack • Dual SIM support (Access to two different phone numbers simultaneously).



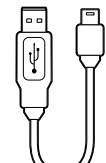
Phone



Battery



AC charger

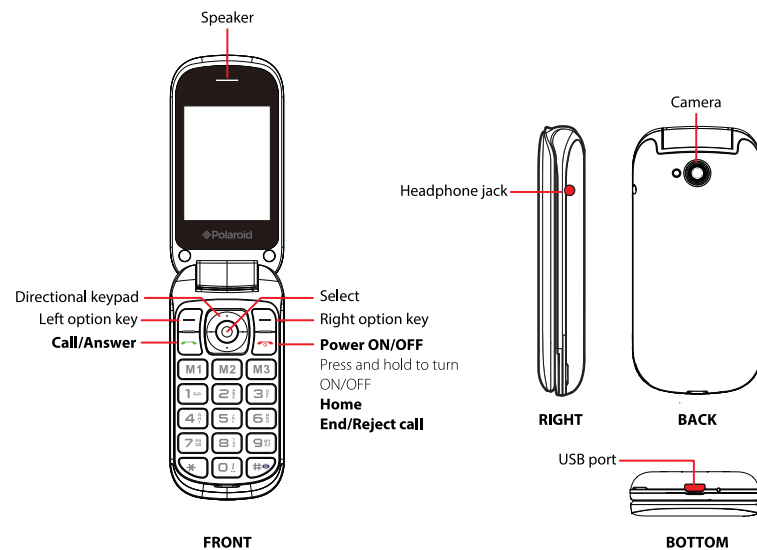


USB cable



User guide

Location of controls

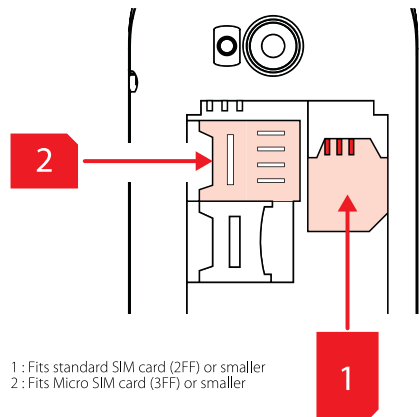
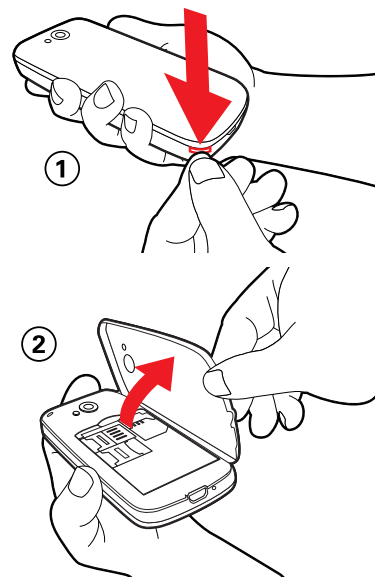


Inserting the SIM card and battery

1. Carefully open the back cover from the bottom-right corner.

2. Insert a SIM card into the respective slot.

3. Insert the battery as shown below (make sure the contacts of the battery are facing the top-left corner).



1: Fits standard SIM card (2FF) or smaller
2: Fits Micro SIM card (3FF) or smaller

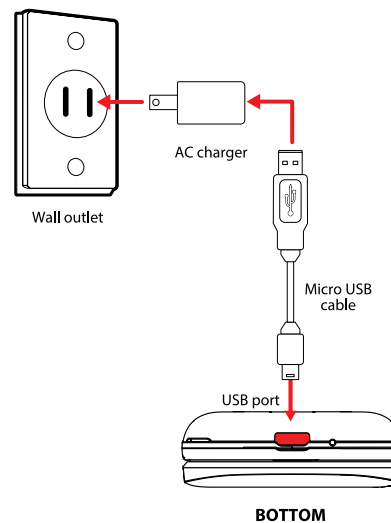
i **SIM Adaptors**
Use a SIM card adaptor for Micro or Nano SIM cards (sold separately).

Dual SIM
Dual SIM card slots offer the convenience to access two different phone numbers simultaneously. Additionally, the dual SIM card slots allow you to have two carrier options, such as having regional and international phone numbers.

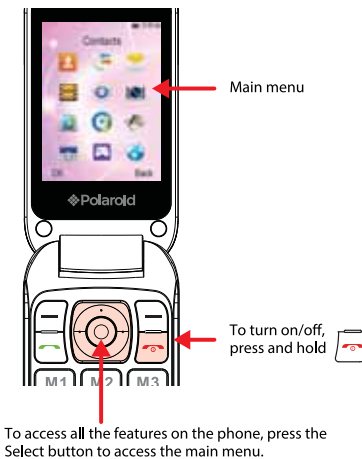
4. Snap the back cover on the phone.

Charging

Connect the charger to the phone and wall outlet as shown below.



Turning on

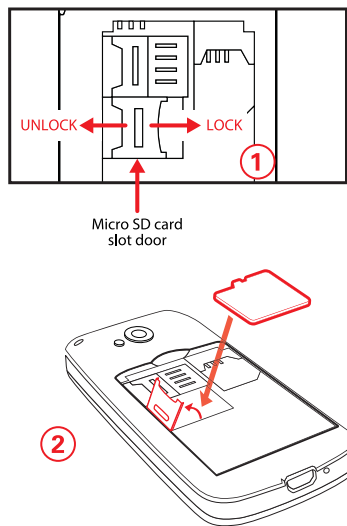


i **Configure Phone Security Options**
To enable security, go to Menu > Settings > Security > Enable Lock. The default lock code is 1234.
To change the lock code, go to Menu > Settings > Security > Set Lock Code.
To configure security restrictions, go to Menu>Settings>Security > Restriction List.

Expandable storage

To expand the storage of the phone, insert a Micro SD card. The phone supports Micro SD cards up to 8GB (not included).

The Micro SD slot is located behind the battery. Slide the door left to unlock, and slide it right to lock.



Safety, Regulatory, and Legal

Battery Use & Safety

Warning: Don't try to take apart or fix your phone. Attempting to take apart or fix your phone may damage the battery and may cause burning and injury. • Don't crush, bend, or expose your phone to heat or liquid. This may damage the battery and may cause burning and injury.

Battery Charging

• During charging, keep your mobile device and charger near room temperature for efficient battery charging. • New batteries are not fully charged. • New batteries or batteries stored for a long time may take more time to charge. • The included charger is intended for indoor use only.

Driving Precautions

Responsible and safe driving is your primary responsibility when driving a vehicle. Making calls or using applications while driving may cause distraction, and may be prohibited or restricted in certain areas—always obey local laws and regulations for the use of mobile devices and accessories in the vehicle. While driving, ALWAYS: • Keep your eyes on the road. • Use a handsfree device if available or required by law in your area. • Enter destination information into a navigation device before driving. • Use voice activated features (such as voice dial) and speaking features (such as audible directions), if available. • Concentrate on driving, and stop using the mobile device if you can't concentrate. Pull over safely before using your mobile device to send messages, surf the web, or use other applications.

Seizures, Blackouts & Eyestrain

To reduce eyestrain and avoid headaches, it is always a good idea to hold the screen a comfortable distance from your eyes, use in a well-lit area, and take frequent breaks. Some people may be susceptible to seizures or blackouts (even if they have never had one before) when exposed to flashing lights or light patterns, such as when playing video games, or watching videos with flashing/light effects. Discontinue use and consult a physician if any of the following symptoms occur: seizures, blackout, convulsion, eye or muscle twitching, loss of awareness, or disorientation.

Caution about High Volume Usage

WARNING: Exposure to loud noise from any source for extended periods of time may affect your hearing. The louder the sound, the less time is required before your hearing could be affected. To protect your hearing: • Limit the amount of time you use headphones or earbuds at high volume. • Avoid turning up the volume to block out noisy surroundings. • Turn the volume down if you can't hear people speaking near you. If you experience hearing discomfort, including the sensation of pressure or fullness in your ears, ringing in your ears, or muffled speech, you should stop listening to the device through your headset or headphones and have your hearing checked.

Repetitive Motion

When you repetitively perform actions, such as pressing keys, you may experience discomfort in your hands, arms, shoulders, neck, or other parts of your body. If you continue to have discomfort during or after such use, stop use and see a physician.

Children

Scientific evidence indicates wireless phone use poses no known danger to the users, including children and teenagers. If you are concerned about avoiding even potential risks caused by radio frequency energy (RF), you may put more distance between your body and the source of RF by using a headset or speaker. RF level drops dramatically with distance. Again, any recommendations are precautionary, since no scientific evidence suggests any health hazard and wireless phone use are linked in any way. Keep your mobile device and its accessories away from small children. These products are not toys and may be hazardous to small children. For example, a choking hazard may exist for small, detachable parts. If a child does use your mobile device, monitor their access to help prevent loss of data or unexpected charges for data or application purchases.

Radio Frequency (RF) Energy

Your mobile device contains a transmitter and receiver of RF energy. It is designed to comply with regulatory requirements concerning human RF exposure. For optimal device performance, and to stay within the RF exposure guidelines: • Hold your mobile phone like a landline when talking on it. • When using the mobile phone next to your body (other than in your hand or against your head), maintain a distance of 2.5 cm (1 inch) from your body to be consistent with how the mobile phone is tested for compliance with RF exposure requirements. • If you use your mobile phone with an accessory case or holder, make sure the accessory is free of metal.

Glass Parts

Some parts of your mobile device may be made of glass. This glass may break if the product receives a substantial impact. If glass breaks, don't attempt to service the device yourself. Stop using your mobile device until the glass is replaced by a qualified service center.

Operational Warnings

Obey all posted signs when using mobile devices in public areas. Potentially explosive areas are often, but not always, posted and can include blasting areas, fueling stations, fueling areas (such as below decks on boats), fuel or chemical transfer or storage facilities, or areas where the air contains chemicals or particles, such as grain dust, or metal powders. Turn off your mobile device before entering such an area, and do not charge batteries. In such areas, sparks can occur and cause an explosion or fire.

Follow Instructions to Avoid Interference Problems

Turn off your mobile device in any location where posted notices instruct you to do so, such as hospitals or health care facilities. In an aircraft, turn off your mobile device whenever instructed to do so by airline staff. If your mobile device offers an airplane mode or similar feature, consult airline staff about using it in flight.

Medical Devices

If you use an implantable device, such as a pacemaker or defibrillator, consult your healthcare provider and the device manufacturer's directions before using this mobile

device. Persons with a pacemaker or defibrillator should observe the following precautions: • ALWAYS keep the mobile device more than 20 centimeters (8 inches) from the pacemaker or defibrillator when the mobile device is turned ON. • Use the ear opposite the pacemaker or defibrillator to minimize the potential for interference. • Turn OFF the mobile device immediately if you have any reason to suspect that interference is taking place.

Privacy & Data Security

Polario understands that privacy and data security are important to everyone. Because some features of your mobile device may affect your privacy or data security, please follow these recommendations to enhance protection of your information: • **Monitor access:** Keep your mobile device with you and don't leave it where others may have unmonitored access. Use your device's security and lock features, where available. • **Keep software up to date:** If Polario or a software/application vendor releases a patch or software fix for your mobile device that updates the device's security, install it as soon as possible. • **Secure personal information:** Your mobile device can store personal information in various locations, including your SIM card, memory card, and phone memory. Be sure to remove or clear all personal information before you recycle, return, or give away your device. You can also backup your personal data to transfer to a new device. • **Applications and updates:** Choose your apps and updates carefully, and install from trusted sources only. Some apps can impact your mobile device's performance and/or have access to private information including account details, call data, location details, and network resources. • **Wireless:** For mobile devices with Wi-Fi features, only connect to trusted Wi-Fi networks. Also, when using your device as a hotspot (where available), use network security. These precautions will help prevent unauthorized access to your device. • **Location-based information:** Mobile devices enabled with location based technologies such as GPS, AGPS or Wi-Fi, can transmit location-based information. • **Other information your device may transmit:** Your mobile device may also transmit testing and diagnostic (including location-based) information, and other non-personal information to Polario or other third-party servers. This information is used to help improve products and services offered by Polario.

FCC Part 15:

This equipment has been tested and found to comply with the requirements for a Class B digital device under Part 15 of the Federal Communications Commission (FCC) rules. These requirements are intended to provide reasonable protection against harmful interference in a residential installation. This equipment generates, uses, and can radiate radio frequency energy and, if not installed and used in accordance with the instructions, may cause harmful interference to radio communications. However, there is no guarantee that interference will not occur in a particular installation. If this equipment does cause harmful interference to radio or television reception, which can be determined by turning the equipment off and on, the user is encouraged to try to correct the interference by one or more of the following measures: • Re-orient or relocate the receiving antenna. • Increase the separation between the equipment and receiver. • Connect the equipment into an outlet on a circuit different from that to which the receiver is connected. • Consult the dealer or an experienced radio/TV technician for help.

Do not attempt to repair or modify this equipment.

Warning: Changes or modifications to this equipment not expressly approved by the party responsible for compliance could void the user's authority to operate the equipment. This device complies with Part 15 of the FCC Rules. Operation is subject to the following two conditions: (1) This device may not cause harmful interference, and (2) this device must accept any interference received, including interference that may cause undesired operation.

Shielded USB cables must be used with this unit to ensure compliance with the Class B FCC limits.

FCC RF Exposure Information

WARNING! Read this information before operating the phone.

In August 1996, the Federal Communications Commission (FCC) of the United States, with its action in Report and Order FCC 96-326, adopted an updated safety standard for human exposure to radio frequency (RF) electromagnetic energy emitted by FCC regulated transmitters. Those guidelines are consistent with the safety standard previously set by both U.S. and international standards bodies. The design of this phone complies with the FCC guidelines and these international standards.

Specific Absorption Rate (SAR)

This phone meets the government's requirements for exposure to radio waves. A wireless phone is a radio transmitter and receiver. It is designed and manufactured not to exceed the emission limits for exposure to radio frequency (RF) energy set by the FCC. These limits are part of comprehensive guidelines and establish permitted levels of RF energy for the general population. The guidelines are based on standards that were developed by independent scientific organizations through periodic and thorough evaluation of scientific studies. The standards include a substantial safety margin designed to assure the safety of all persons, regardless of age and health. The exposure standard for wireless mobile phones uses a unit of measurement known as the Specific Absorption Rate, or SAR. The SAR limit set by the FCC is 1.6W/Kg. Tests for SAR are conducted using certified operating positions specified by the FCC with the phone transmitting at its highest standard power level in all tested frequency bands. Although SAR is determined at the highest certified power level, the actual SAR level of the phone while operating can be well below the maximum value. Because the phone is designed to operate at multiple power levels to use only the power required to reach the network, in general, the closer you are to a wireless base station antenna, the lower the power output.

The SAR information for this phone is as follows:

Head: 0.476 W/Kg
Body: 1.054 W/Kg

Body-worn Operation

This device was tested for typical body-worn operations with the back of the phone kept

Limited Warranty

LIMITED WARRANTY TO ORIGINAL CONSUMER

This Product (including any accessories included in the original packaging) as supplied and distributed new by an authorized retailer is warranted by AIT, Inc. (AIT) to the original consumer purchaser against defects in materials and workmanship ("Warranty") as follows:

Product Type : Mobile phone Territory : United States / Canada

Parts Warranty : 1 Year Labor Warranty : 1 Year

Customer Support:

☎ 1-877-768-8481 (Toll Free)
Monday - Friday: 8AM - 10PM (EST)
🌐 www.southerntelecom.com
(click on "Product Support")

TO OBTAIN WARRANTY SERVICE:

• Call the Customer Support number located below, or go to our website portal to receive an SRO number. • Provide proof of the date of purchase within the package (Dated bill of sale). • Prepay all shipping costs to the authorized service center, and remember to insure your return. • Include a return shipping address (no P.O. Boxes), a telephone contact number, and the defective unit within the package. • Describe the defect or reason you are returning the product.

Your product will be repaired or replaced, at our option, for the same or similar model of equal value if examination by the service center determines this product is defective. Products received damaged as a result of shipping will require you to file a claim with the carrier.

The shipping address of the authorized service center is:

🌐 Southern Telecom, Inc.
Attention: Customer Service
400 Kennedy Drive
Sayreville NJ 08872

Warranty service not provided

This warranty does not cover damage resulting from accident, misuse, abuse, improper installation or operation, lack of reasonable care, unauthorized modification including software modifications such as the installation of custom firmwares. This warranty is voided in the event any unauthorized person opens, alters or repairs this product. All products being returned to the authorized service center for repair must be suitably packaged.

NO WARRANTIES, WHETHER EXPRESS OR IMPLIED, INCLUDING, BUT NOT LIMITED TO, ANY IMPLIED WARRANTIES OF MERCHANTABILITY OR FITNESS FOR A PARTICULAR PURPOSE, OTHER THAN THOSE EXPRESSLY DESCRIBED ABOVE SHALL APPLY. DISTRIBUTOR FURTHER DISCLAIMS ALL WARRANTIES AFTER THE EXPRESS WARRANTY PERIOD STATED ABOVE. NO OTHER EXPRESS WARRANTY OR GUARANTY GIVEN BY ANY PERSON, FIRM OR ENTITY WITH RESPECT TO THE PRODUCT SHALL BE BINDING ON DISTRIBUTOR, REPAIR, REPLACEMENT, OR REFUND OF THE ORIGINAL PURCHASE PRICE - AT DISTRIBUTOR'S SOLE DISCRETION - ARE THE EXCLUSIVE REMEDIES OF THE CONSUMER. IN NO EVENT WILL DISTRIBUTOR, ITS MANUFACTURERS, OR PLR IP HOLDINGS, LLC BE LIABLE FOR ANY INCIDENTAL, DIRECT, INDIRECT, SPECIAL, PUNITIVE OR CONSEQUENTIAL DAMAGES (SUCH AS, BUT NOT LIMITED TO, DAMAGES FOR LOSS OF PROFITS, BUSINESS, SAVINGS, DATA OR RECORDS) CAUSED BY THE USE, MISUSE OR INABILITY TO USE THE PRODUCT, EXCEPT AS STATED HEREIN. NO OTHER WARRANTIES SHALL APPLY. NOTWITHSTANDING THE FOREGOING, CONSUMER'S RECOVERY AGAINST DISTRIBUTOR SHALL NOT EXCEED THE PURCHASE PRICE OF THE PRODUCT SOLD BY DISTRIBUTOR. THIS WARRANTY SHALL NOT EXTEND TO ANYONE OTHER THAN THE ORIGINAL CONSUMER WHO PURCHASED THE PRODUCT AND IS NOT TRANSFERABLE.

Some countries, states or provinces do not allow the exclusion or limitation of incidental or consequential damages or allow limitations on warranties, so limitation or exclusions may not apply to you. This warranty gives you specific legal rights, and you may have other rights that vary from state to state or province to province. Contact your authorized retailer to determine if another warranty applies.

0.4 inches (1.0 cm) between the user's body and the back of the phone. To comply with FCC RF exposure requirements, a minimum separation distance of 0.4 inches (1.0 cm) must be maintained between the user's body and the back of the phone. Third-party belt-clips, holsters, and similar accessories containing metallic components should not be used. Body-worn accessories that cannot maintain 0.4 inches (1.0 cm) separation distance between the user's body and the back of the phone, and have not been tested for typical body-worn operations may not comply with FCC RF exposure limits and should be avoided.

IC STATEMENT

This device complies with Industry Canada licence-exempt RSS standard(s). Operation is subject to the following two conditions:

- (1) This device may not cause interference, and
- (2) This device must accept any interference, including interference that may cause undesired operation of the device.

This equipment complies with IC radiation exposure limits set forth for an uncontrolled environment. End user must follow the specific operating instructions for satisfying RF exposure compliance. This transmitter must not be co-located or operating in conjunction with any other antenna or transmitter.

These requirements set a SAR limit of 1.6W/Kg averaged over one gram of tissue. The highest SAR value for this model phone when tested for use at the ear is 0.532 W/Kg and when worn on the body is 1.054 W/Kg. This device was tested for typical body-worn operations. To comply with RF exposure requirements, a minimum separation distance of 10mm must be maintained between the user's body and the handset, including the antenna. Third-party belt-clips, holsters, and similar accessories used by this device should not contain any metallic components. Body-worn accessories that do not meet these requirements may not comply with RF exposure requirements and should be avoided. Use only the supplied or an approved antenna.

Battery Disposal & Recycle

Dispose of the battery in accordance with government regulations. We encourage you to call the number below to have the battery recycled and help protect the environment.

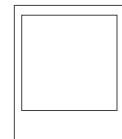
☎ 1-800-822-8837



PLRIP Holdings, LLC, its licensees and affiliates, fully support all electronic waste initiatives. As responsible stewards of the environment, and to avoid violating established laws, you should properly dispose of this product in compliance with all applicable regulations, directives or other governance in the area where you reside. Please check with local authorities or the

Designed by Southern Telecom / Made in China
Distributed by: AIT, Inc. 5601 1st Ave Brooklyn, NY 11220
© 2017 All Rights Reserved.

Polario, Polario & Pixel, Polario Color Spectrum, Polario Classic Border Logo and Polario Link are trademarks of PLR IP Holdings, LLC, used under license. PLR IP Holdings, LLC does not manufacture this product or provide any Manufacturer's Warranty or support. www.polarioid.com




Instantly recognizable. Instantly reassuring. The Polario Classic Border and Polario Color Spectrum logos let you know you've purchased a product that exemplifies the best qualities of our brand and that contribute to our rich heritage of quality and innovation.

All other trademarks and trade names are those of their respective owners.

A300: Polaroid 2.4" Mobile Phone User Guide ENGLISH

04/21/2017



Polaroid LINK 2.4"

About Polaroid LINK mobile phones

Polaroid LINK mobile phones are shipped unlocked and offer the flexibility of using any GSM network (GPRS, EDGE, HSPA, GSM, and GPRS) and you want without any commitment.

SIM card not included

For details on how to insert a SIM card, please refer to Inserting the SIM card and battery. For details on how to insert a SIM card, please refer to one of the many major retailers, mobile phone carriers or electronics stores.

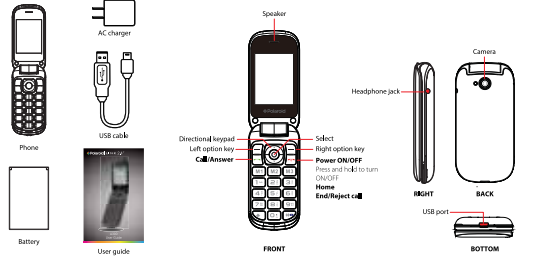
Supported Bands:
 GSM/GPRS: 850, 900, 1800, 1900 MHz
 GSM/EDGE: 850, 900, 1800, 1900 MHz
 HSPA: 850, 900, 1800, 1900 MHz

Features: Supports voice calls and texting; Full QWERTY keyboard; 2.4" color display; 800 mAh rechargeable battery; Bluetooth 2.0; 3.2mm headset jack; Dual SIM; supports access to two different phone numbers simultaneously.

In the box

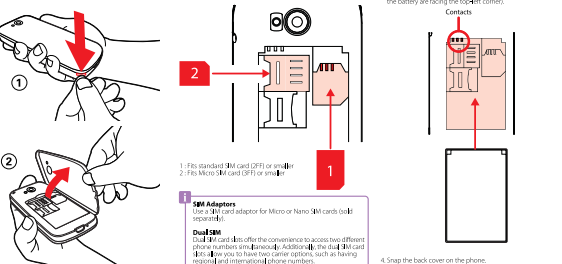
- Phone
- Battery
- User guide
- AC charger
- USB cable

Location of controls



Inserting the SIM card and battery

- Carefully open the back cover from the bottom edge corner.
- Insert a SIM card into the respective slot.
- Insert the battery as shown below. It makes sure the contacts of the battery are facing the top 4 corners.



1. SIM Adapters

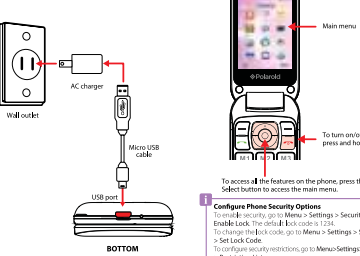
Some carriers use an adapter for Micro or Nano SIM cards (not included).

2. Dual SIM

Dual SIM cards offer the convenience of access two different phone numbers simultaneously. Additionally, the dual SIM card lets you to have two carrier options, such as having regional and international phone numbers.

Charging

Connect the charger to the phone and wall outlet as shown below.




3. To turn on/off, press and hold

To access the features on the phone, press the Select button to access the main menu.

4. Snap the back cover on the phone.

Turning on



Configure Phone Security Options

To turn on security, go to Menu > Settings > Security > Enable Lock. The default Lock code is 1234.

To change the Lock Code, go to Menu > Settings > Security > Set Lock Code.

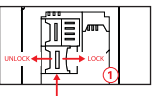
To turn off security restrictions, go to Menu > Settings > Security > Restriction List.

FRONT

Expandable storage

To expand the storage of the phone, insert a Micro SD card. The phone supports Micro SD cards up to 64GB (not included).


The Micro SD card is located behind the battery. Slide the door left to the lock, and insert it right to lock.



Micro SD card slot door

1. UNLOCK

2. LOCK



Safety, Regulatory, and Legal

Children

Children's use of mobile phones with features such as text messaging, e-mail, and internet access may be subject to the same restrictions as those that apply to the use of the Internet. Children's use of mobile phones with features such as text messaging, e-mail, and internet access may be subject to the same restrictions as those that apply to the use of the Internet.

Radio Frequency (RF) Energy

Use of mobile phones with features such as text messaging, e-mail, and internet access may be subject to the same restrictions as those that apply to the use of the Internet.

Medical Devices

Use of mobile phones with features such as text messaging, e-mail, and internet access may be subject to the same restrictions as those that apply to the use of the Internet.

Do not attempt to repair or modify this equipment.

Warning: Do not attempt to repair or modify this equipment. Do not attempt to repair or modify this equipment. Do not attempt to repair or modify this equipment.

Radio Frequency (RF) Energy

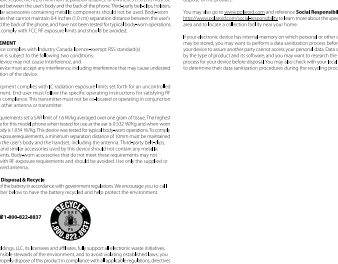
Use of mobile phones with features such as text messaging, e-mail, and internet access may be subject to the same restrictions as those that apply to the use of the Internet.

Medical Devices

Use of mobile phones with features such as text messaging, e-mail, and internet access may be subject to the same restrictions as those that apply to the use of the Internet.

Inserting the SIM card and battery

- Carefully open the back cover from the bottom edge corner.
- Insert a SIM card into the respective slot.
- Insert the battery as shown below. It makes sure the contacts of the battery are facing the top 4 corners.



1. SIM Adapters

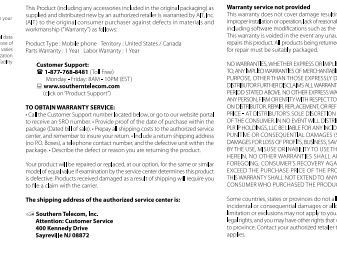
Some carriers use an adapter for Micro or Nano SIM cards (not included).

2. Dual SIM

Dual SIM cards offer the convenience of access two different phone numbers simultaneously. Additionally, the dual SIM card lets you to have two carrier options, such as having regional and international phone numbers.

Charging

Connect the charger to the phone and wall outlet as shown below.




3. To turn on/off, press and hold

To access the features on the phone, press the Select button to access the main menu.

4. Snap the back cover on the phone.

Turning on



Configure Phone Security Options

To turn on security, go to Menu > Settings > Security > Enable Lock. The default Lock code is 1234.

To change the Lock Code, go to Menu > Settings > Security > Set Lock Code.

To turn off security restrictions, go to Menu > Settings > Security > Restriction List.

BACK